

BV-C340H HDTV Color Video Camera

BV-C340H is a HDTV color video camera utilizing 1/1.8-inch Global shutter CMOS sensor. It provides 1920x1080 pixels, progressive 60 frames or 50 frames per second and other HDTV formats. The interface for HDTV signals is 3G-SDI or HD-SDI.



Key features

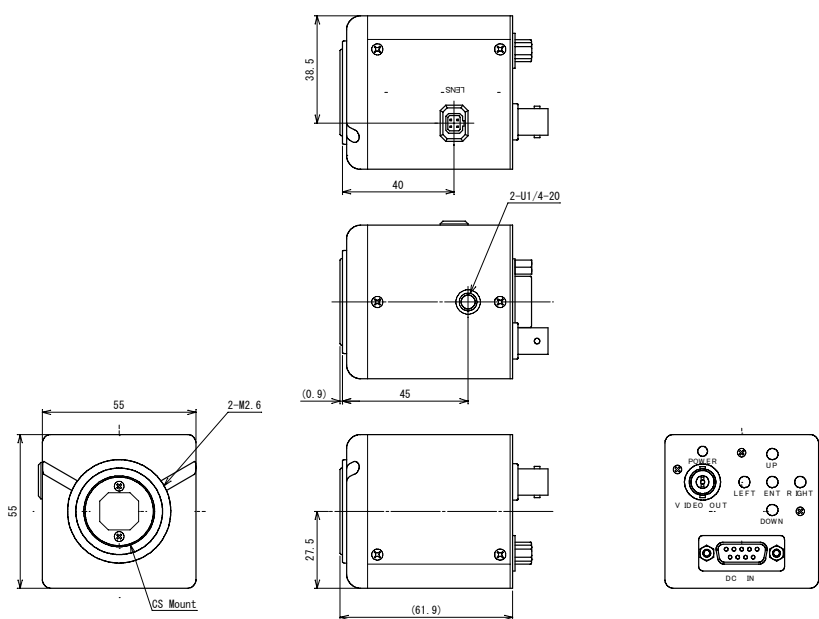
- ◆ Global shutter, 3.2 Mega, 1/1.8-inch CMOS sensor
- ◆ Full HD outputs featuring 1080/60P and 1080/50P along with other HD formats such as 1080/60i/30p, 1080/50i/25P, 720/60P or 720/50P
- ◆ NTSC or PAL output is available for monitoring
- ◆ Maximum 48dB gain up
- ◆ 0.015 lux of minimum illumination(48dB gain, 1/30 fps and binning ON)
- ◆ "ALC dual run" function supports a video output control in various lighting conditions by combining auto iris, electronic shutter and AGC
- ◆ Internal or External synchronization (HD/VD)
- ◆ 4 times gain up with 2:1 binning function(960x540)
- ◆ OSD switches are located on the rear panel to set the camera parameters
- ◆ Various functions to create the image suitable for the shooting environment
Electronic shutter, Auto white balance, Digital noise reduction, Shading, Gamma Auto bright, Digital zoom, Fog reduction, Digital Image Stabilization, Back light
- ◆ RS-485 interface is available
- ◆ Camera control tool (HD_CONT_TOOL) is available

Specifications

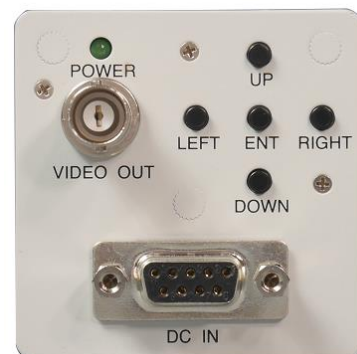
Items & Functions	Specifications
Image sensor	1/1.8-inch Bayer CMOS , Global shutter
Total pixel	2064(H) x 1554(V)
Effective image pixel	1920(H) x 1080(V) Image circle is equivalent to 1/2.35-inch
Scan system	Progressive
Synchronization	Internal / External (HD/VD)
Video output	Digital:3G-SDI 1080/60P, 1080/50P HD-SDI 1080/60i/30P, 1080/50i/25P, 720/60P, 720/50P Analog: NTSC/PAL
Minimum illumination	0.015lx (AGC 48dB, 1/3 fps, Binning ON, Video level 50IRE)
S/N	50dB (Typical) (AGC off)
Gamma correction	ON:0.45/OFF:1.0, 0.9~0.4 variable
AGC	Max. 48dB
Iris control	Lens iris (D C control)
Electronic shutter	OFF, 1/100、1/120 ~ 1/10000
Binning	ON/OFF 960x540 pixels
Interface	RS-485
Lens mount	CS mount
Input voltage	DC 12V
Current consumption	280mA (Use DC lens、 in operation)
Operating temperature/humidity	-10°C ~ +50°C / 80% (no-condensing)
Storage temperature/humidity	-30°C ~ +70°C / 80% (non-condensing)
Dimensions (WxHxD)	55 x 55 x 61mm (excluding protrusion)
Weight	235g

Specifications are subject to change without prior notice

Dimensions



Rear panel



Bluevision Ltd., Japan
1-13-12 Shin-Yokohama, Kohoku-ku, Yokohama 222-0033, Kanagawa
TEL: 045-471-4595 FAX: 045-471-4598
URL:www.bluevision.jp /Contact: Sales@bluevision.jp