

BV-C340MH HDTV Format Monochrome camera

BV-C340MH is a monochrome camera employing 1/1.8-inch 3.2Mega Global shutter CMOS sensor. The output is 1980x1080 pixels and it equips a 3G-SDI/HD-SDI interface. It can be used for FA applications together with a capture board which has the 3G-SDI or HD-SDI interface.



Key features

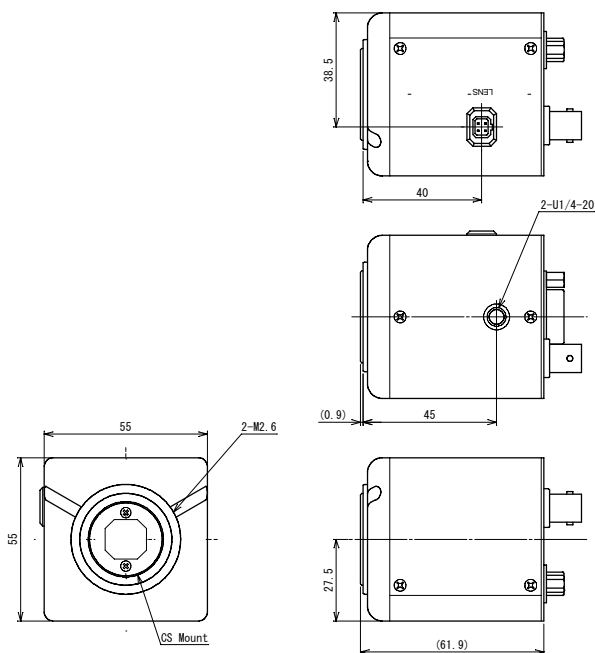
- ◆ 1/1.8-inch, 3.2 Mega, Global shutter CMOS sensor
- ◆ 1920 x 1080 pixels output through 3G-SDI or HD-SDI interface
- ◆ Maximum 48dB gain boost
- ◆ Minimum illumination of 0.008 lux (48dB gain, 1/30 fps, Binning ON)
- ◆ Binning ON or OFF function (960 x 540 pixels image)
- ◆ Allocate switches for On Screen Display on the rear panel to set camera functions
- ◆ Various functions to create appropriate images according to objects
 - Electronic shutter, Digital noise reduction, Lens shading, Gamma, Auto bright
 - Digital zoom, Digital Image Stabilizer, Back light, Freeze, NEGA-POSI reverse
- ◆ Control the camera through RS485 interface
- ◆ HD_CONT_TOOL is available to control the camera remotely

Specifications

Item & Function	Specifications
Image sensor	1/1.8-inch Monochrome CMOS, Global shutter
Total pixel	2064(H) x 1554(V)
Effective image pixel	1920(H) x 1080(V) Image circle is equivalent to 1/2.35-inch
Scan system	Progressive
Synchronization	Internal
Video output	3G-SDI 1080/60P/50P HD-SDI: 1080/30P/25P, 1080/60i/50i, 720/60P/50P
Minimum illumination	0.008lx (AGC Max 48dB, 1/30 fps, Binning ON, Video level 50IRE)
S/N	50dB (Typical) (AGC off)
Gamma correction	ON:0.45/ OFF:1.0, 0.9~0.4 variable
AGC	Max. 48dB
Electronic shutter	OFF, 1/100, 1/120 ~ 1/10000
Binning	ON/OFF (960 x 540 pixels)
Interface	RS-485
Lens mount	CS mount
Input voltage	DC 12V
Current consumption	280mA
Operating temperature/humidity	-10°C ~ +50°C / 80% (no-condensing)
Storage temperature/humidity	-30°C ~ +70°C / 80% (non-condensing)
Dimensions (WxHxD)	55 x 55 x 61mm (excluding protrusion)
Weight	235g

Specifications are subject to change without prior notice

Dimensions



Rear panel

