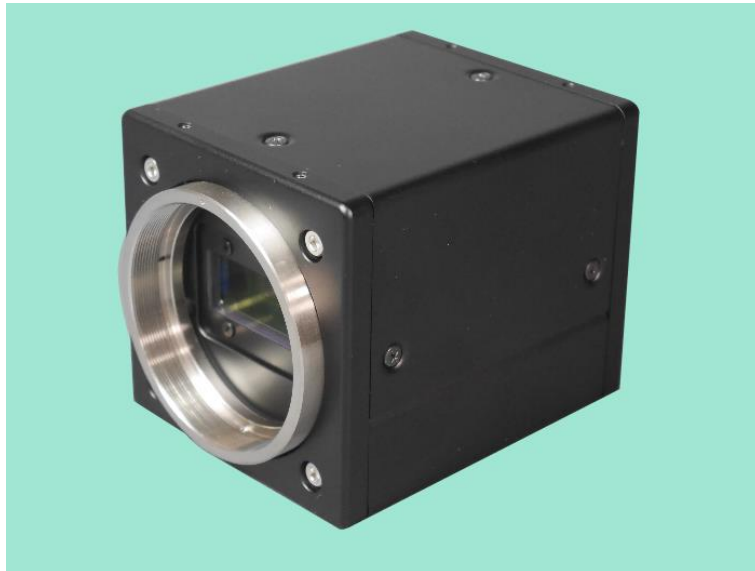


BV-C5400 3CMOS 4K RGB Line scan camera

BV-C5400 equips newly developed prism optics for line sensors in lightweight and compact body and uses three 4K CMOS line sensors to capture R, G and B wavelength respectively.



Key features

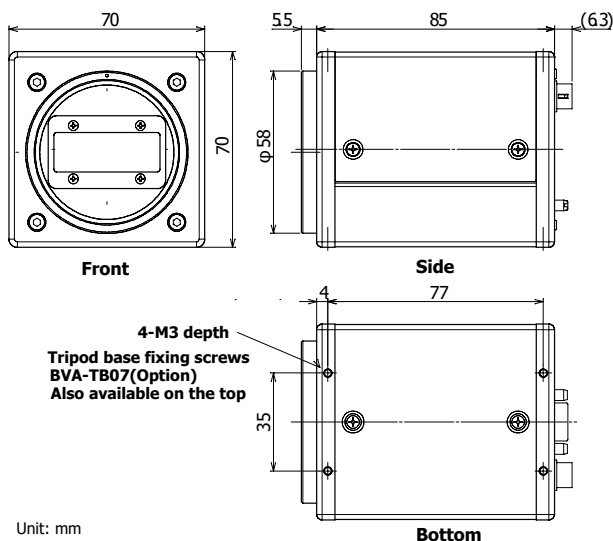
- ◆ Newly developed RGB Dichroic prism for line scan camera
- ◆ Three CMOS, 4096 pixels, 7 μ m square pixel sensors to be used
- ◆ Small size, light in weight, compact body design
- ◆ Pixel clock cycle of 80MHz and line rate of 18,034 lines/second
- ◆ Variable electronic shutter from 55.45 μ s to 100ms in 12.5ns unit
- ◆ 4K full resolution mode or Binning 2K mode can be selected
- ◆ Image output through Camera Link Base configuration, 8bit x 3
- ◆ Gain setting from -3dB to +12dB
- ◆ Internal or External trigger for synchronization
- ◆ Shading compensation with PRNU and DSNU
- ◆ Lens aberration compensation
- ◆ Three operation modes (No Shutter mode, Shutter select mode, Pulse width)
- ◆ Communication interface by Camera Link, Baud rate of 115200bps
- ◆ Field update function
- ◆ Camera Control Tool is available

Specifications

| Item & Function | Specifications |
|-----------------------------------|---|
| Optical system | RGB Dichroic prism |
| Image sensor | 4096 pixels, 7 μ m square pixel, CMOS line sensor x 3 |
| Effective image length | 28.672 mm |
| Synchronization | Internal / External trigger |
| Pixel clock cycle | 80MHz |
| Line rate/Line frequency | 55.45 μ s(Internal) / 18.03KHz (Internal) |
| Image output | 4K Full resolution mode or 2K binning mode is selectable Camera Link, Base configuration, 8bit x 3 |
| Standard illumination | 3500Lx (Color temp. 7800K equivalent, Gain Low, Shutter OFF, F2.8, Line rate 330 μ s, 100% video) |
| S/N | 8bit gradation (S/N: more than 48dB) |
| Line rate variable range | 55.45 μ s ~ 100ms in 12.5ns unit |
| Electronic shutter | Variable range 9.52 μ s ~ 100ms in 12.5ns unit |
| Gain | R/G/B -3 dB ~ +12dB |
| Black level | R/G/B 0LSB ~ 31LSB |
| Trigger input | Camera Link LVDS (CC1) |
| Operating mode | 1. No Shutter mode (Internal/External trigger) 2. Shutter Select mode (Internal/External trigger) 3. Pulse Width Control (External trigger) |
| Compensation | PRNU, DSNU, Shading compensation, Lens aberration comp.(ON/OFF) |
| Communication interface | Camera Link EIA644, Baud rate 115200bps |
| Lens mount | M52 mount /Option F mount |
| Input voltage/Current consumption | DC 12V~24V, Typical TBD/Max. TBD |
| Operating Temperature/Humidity | -5 $^{\circ}$ C ~ +45 $^{\circ}$ C /20%~80% (non-condensing) |
| Storage Temperature/Humidity | -25 $^{\circ}$ C ~ +60 $^{\circ}$ C /20%~80% (non-condensing) |
| Dimensions (WxHxD) | 70 x 70 x 85 mm (excluding protrusion) |
| Weight | 570g |

Specifications are subject to change without prior notice

Dimensions



Rear Panel



Optical response

